

ENGR226 – TEST NO. 5

NAME: _____

This is just a

Sample Test

Make sure you understand the problems discussed in class as well as the homework.

GENERAL INFORMATION

- ❑ This sheet must be stapled together with your printout.
- ❑ Title block information:
 - The title block will need to be exploded when inserted.
 - Complete as required (Name, Date, etc.).
 - SECTION ?? 7:30 AM etc. (ex. SECTION: 7:30 AM)
 - Block Insertion point is 0,0
 - Block Scale should be 1.00
- ❑ Center lines should extend about 0.25" (6 mm) past the object when printed.
- ❑ Don't print the View port box.
- ❑ You may need to draw temporary lines from one view to the other to find points, then trim the objects. If you are unsure of which points line up then please ask.
- ❑ Printout your solutions using the monochrome setting.
- ❑ Objects should be placed on the appropriate layer.
- ❑ Labels such as FRONT, TOP, RIGHT SIDE and SECTION should be placed in paper space on the Border layer.
- ❑ The text size should be 0.125" (3.2 mm) when printed (except for the title block).
- ❑ **Save often.** I recommend every 5 minutes. I am not very understanding should you lose your file.
- ❑ If you have any questions please ask (I make mistakes too!).

If you want your final back, then leave me a Self Addressed Stamped Envelope. I will be destroying any unclaimed test immediately after grading. I highly suggest you leave me the SASE because without the test in your hands, there is no way for you to challenge the score if you disagree with it.

PROBLEM 1 DRAWING SPECIFIC INFORMATION

- ❑ **TEMPLATE:** None (This is a metric problem).
- ❑ **SAVEAS:** TEST5-1.dwg
- ❑ **BORDER:** CUESTA TITLE BLOCK-metric.dwg
- ❑ **VIEWPORT SCALE:** 1:1 or 1:2 or 1:3 or 1:4 (The scale on the Plot menu is always 1:1 because that refers to paper space, not the *viewport*).
- ❑ Given the views below, construct the Top and half section views.
- ❑ EQL SP means Equal Spacing
- ❑ Do not dimension.

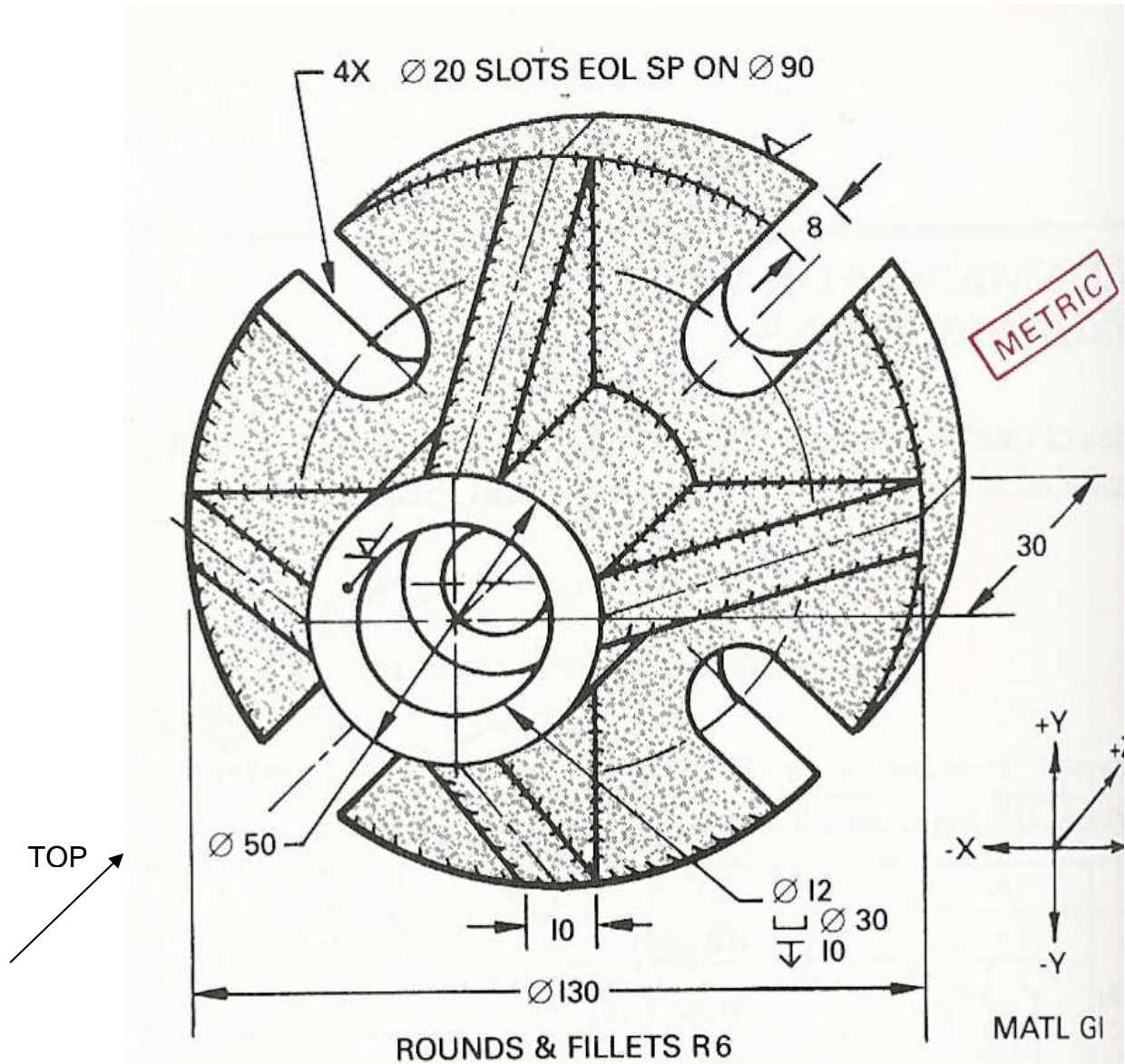


FIG. 9-7-C Flanged support.

PROBLEM 2 DRAWING SPECIFIC INFORMATION

- ❑ **TEMPLATE:** None (This is a metric problem).
- ❑ **SAVEAS:** TEST5-2.dwg
- ❑ **BORDER:** CUESTA TITLE BLOCK-metric.dwg
- ❑ **VIEWPORT SCALE:** 1:1 or 1:2 or 1:3 or 1:4 (The scale on the Plot menu is always 1:1 because that refers to paper space, not the *viewport*).
- ❑ Given the views below, construct the isometric view.
- ❑ Do not dimension.

