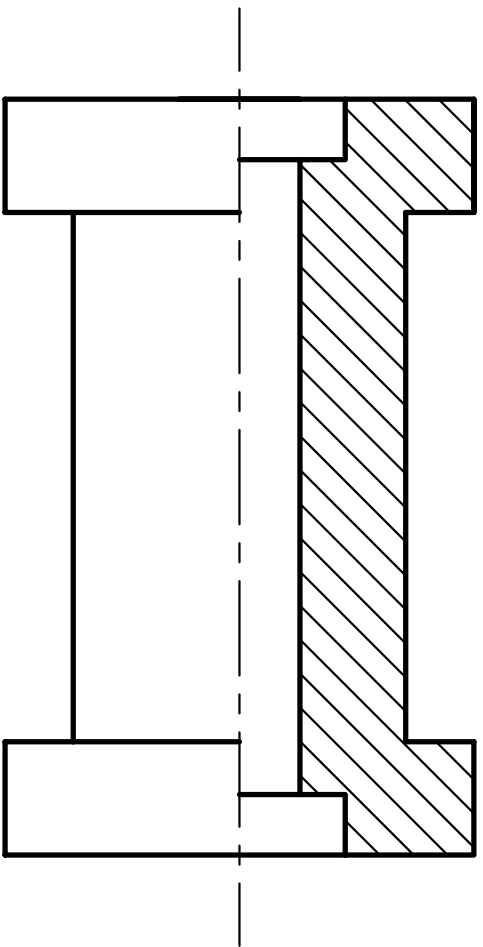
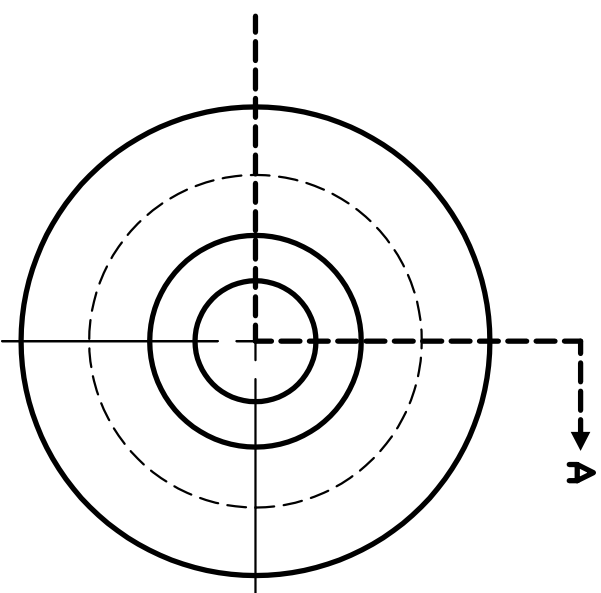


TOP VIEW



SEC. A



R. SIDE VIEW

GRADE:	TITLE: PROBLEM 6-13	COLLEGE: CUESTA
NAME:		SECTION:
INST: JEFF JONES	CLASS: ENGR26	SHEET: 1/1