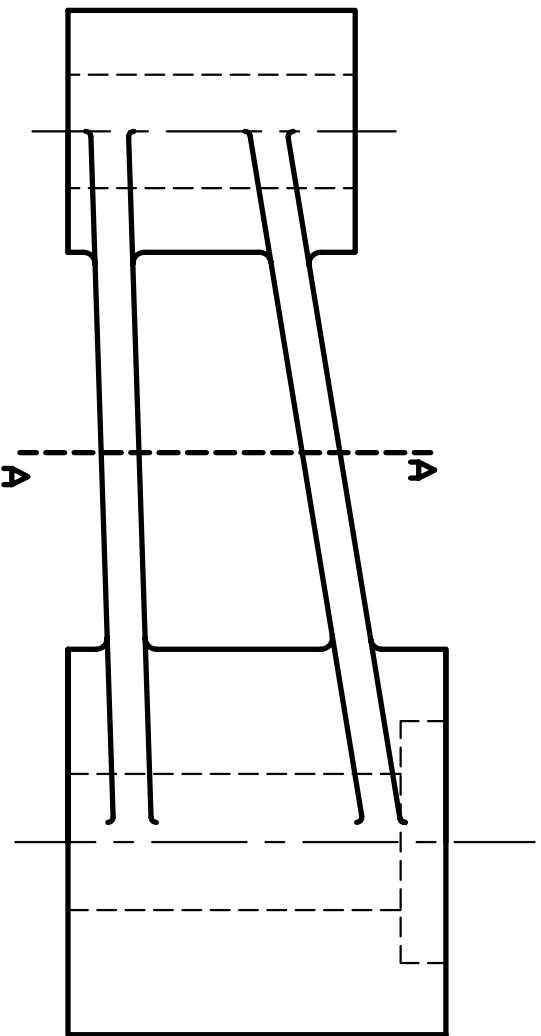
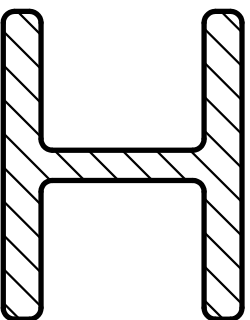


TOP VIEW



FRONT VIEW



SEC. A-A

GRADE: TITLE: PROBLEM 6-24A

NAME: COLLEGE: CUESTA

INST: JEFF JONES CLASS: ENGR26

SECTION: SHEET: 1/1