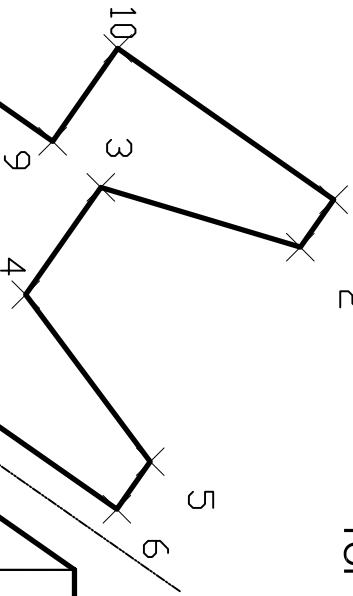
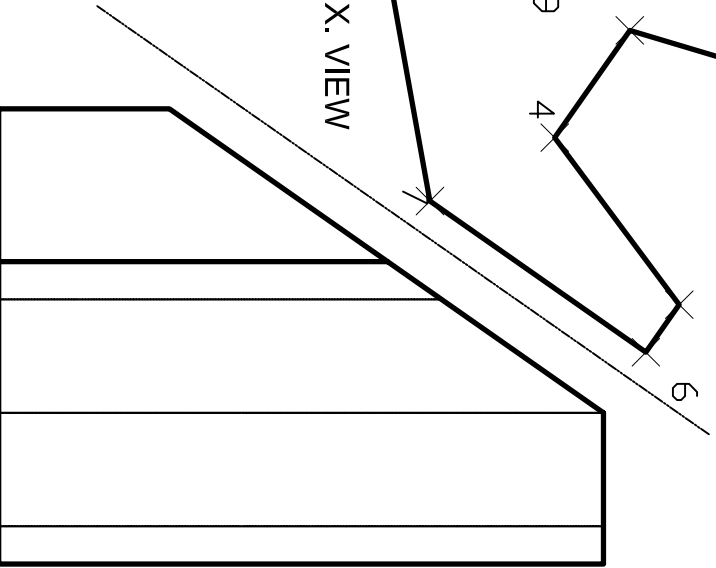


1  
2  
TOP



8  
AUX. VIEW



FRONT

GRADE:	TITLE: 7-31	COLLEGE: CUESTA
NAME:		
INST: JEFF JONES	CLASS: ENGR26	SECTION:
DATE:	SCALE: 1:1	SHEET: 1/1